

ISO232C

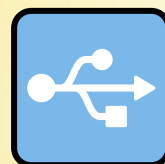
Isolated USB to RS232 Converter



The fastest isolated converter on market with active outputs: 1 MBit guaranteed!

isolating USB to RS232

Active ±15mA outputs Short-circuit-proof



isolating • reliable • safe

The RS232 converter for rough environments

Solid and safe with isolation

By its high isolating strength it is especially recommended for critical and harsh environments with potential shift issues. It decouples your valuable PC from the connected device and protects it against damages caused by ground loops, voltage and current spikes. No more damages due to defective devices!

Informative

Two bicolor LEDs gives excellent help for easier troubleshooting. Active levels at any pin are shown in blue and dynamic data transfer additionally in red. While the TXD LED cares for the output lines the RXD LED does the same for the inputs. In this way even an unconnected or inactive device can be detected.

Featuring FTDI FT232R processor

By integrating a FT232R chip the converter offers a unique USB serial number for COM Port assignment, parallel read/write of the signal lines like an I/O port (5 inputs, 3 outputs) via bitbang mode and adjustment of non-standard bit rates to realize unusual bit rates.

Recommended tool CleverTerm

CleverTerm is a free terminal program for the serial communication and provides everything you need to communicate via RS232. CleverTerm supports even non-standardized bit rates and offers extensive input (ascii, hex, mixed) and transmission modes. It is expandable by own user interfaces to realize automatic data acquisition, data display and repetitive outputs.

Product Features

- High isolation strength
- Data rates up to 1 MBit by high quality line driver/receiver
- All RS232 lines isolated
- Active output by integrated energy transfer
- Short circuit proof and electrostatic protection
- Provides non-standard bit rates
- Two bicolor LEDs for active and dynamic lines state indication
- Rugged housing with UNC screw nuts (PC compatible)
- Supported driver by Windows and Linux
- Made in Germany, three years warranty

Run it on your favorite OS - It's your choice!



Scan/click for this leaflet



Scan/click for CleverTerm





Windows

Automatical driver installation

1. Connect your PC with the Internet.
2. Close all open applications.
3. Plug in the ISO232C converter.
4. Windows 7,8/8.1, 10, 11
The ISO232C FTDI driver is downloaded and applied automatically.

Manual driver installation

1. Get the driver from the IFTOOLS page.
 2. Copy it to the PC with the ISO232C.
 3. Execute the setup driver program.
 4. Plug in the ISO232C converter.
- Alternatively you can obtain the VCP driver from the FTDI site: <https://ftdichip.com/drivers/>

1



scan/click for IFTOOLS driver page



Linux

Driver is supported by kernel

1. Disconnect all other USB to Serial converters
2. Connect the ISO232C.
The driver module is loaded automatically by the kernel.
3. Check your device permissions.
Your user account must be group member of the device group, usually dialout or uccp, see right side.

2

```
~$ ls -l /dev/ttyUSB*
crw-rw---- 1 root dialout 188, 0 Sep 27 09:57 /dev/ttyUSB0
crw-rw---- 1 root dialout 188, 1 Sep 27 11:48 /dev/ttyUSB1
~$ groups
YOUR_USER_NAME cdrom sudo dip plugdev lpadmin sambashare
~$ sudo addgroup YOUR_USER_NAME dialout
```

1. Open a terminal and input: `ls -l /dev/ttyUSB*`
2. Read the group of the listed device(s), here `dialout`
3. Check your group memberships by input: `groups`
4. If your are not member of the device group, input:
`sudo addgroup YOUR_USER_NAME dialout`
5. Logout and login and check your groups again



Windows

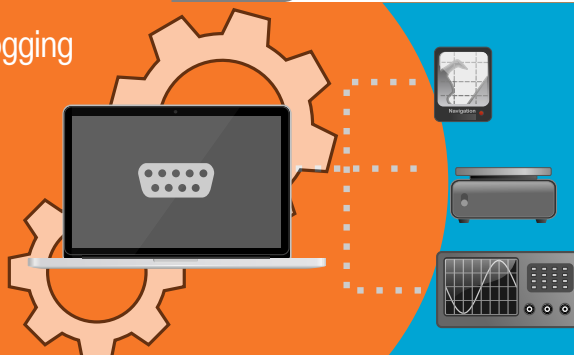


Linux

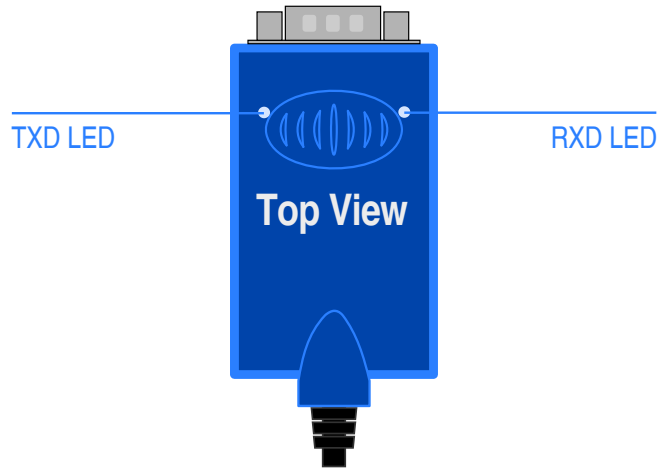
3

communicating • testing • developing • logging

click/scan for free serial port tools



TXD	Meaning
	Converter offline or in standby, no active outputs
	Converter powered, all outputs pins 3,4,7 active
	Additional active data transmission on TXD, pin 3
RXD	Meaning
	Converter offline/standby, no signal on inputs
	Active signal at any of the pins 1,2,6,8,9
	Additional receiving data on RXD, pin 2

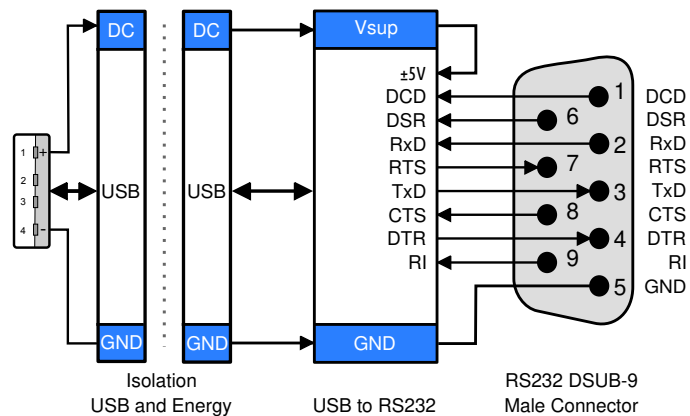


Connection and isolation schematic

Isolation takes place on the USB side, including a power transmission to the RS232 side. And this has a big benefit: The converter behaves like any not isolated RS232 port, all output signals are supplied directly from the USB side via an energy converter and work as expected. An additional power supply for output signals is not necessary!



In contrast to an isolated RS232 to RS232 converter without additional power supply the ISO232C offers full isolation and power for ALL lines - essential when using RTS and DTR.



Unusual bit rates and baudrate-alias

The ISO232C offers even unusual bit rates - provided the program used supports such. Applications supporting only standard rates can be customized with the free IFTOOLS Baudrate-Aliaser tool. E.g. to turn a selected 38400 in a real 500000 bps, see example on the right.

How can you use this advantage for your own applications?

1. Use a tool supporting unusual bit rates

like the IFTOOLS CleverTerm or luactb Lua interpreter

2. For applications which cannot be changed

use the IFTOOLS baud rate aliasing tool to replace e.g. 38400 in the ISO232C with your desired rate. Then select 38400 in your application connected with the ISO232C to run it with the new bit rate.

The Baudrate Aliaser is free and available for Windows and Linux. More information and download click/scan the qrcode on the right.

3. Run older programs with higher bit rates

here too the ISO232C in combination with the Baudrate-Aliaser helps you to connect RS232 devices providing higher bit rates with your favoured or indispensable application.

Baudrate-Aliaser
for Windows® & Linux

Supported converters:
ISO232C
ISO485
ISO485-BOX

or such with FTDI chip:
FT232R, FT232RL
FT2232, FT232B

Visit download page

Baudrate bps	Clock Divisor	Deviation (%)	Hexdata Sequence
300	10000	0.00%	10 27 00 00
600	5000	0.00%	08 13 00 00
1200	2500	0.00%	C4 09 00 00
2400	1250	0.00%	82 04 00 00
4800	625	0.00%	71 02 00 00
9600	312.5	0.00%	38 41 00 00
19200	156.25	0.00%	9C 80 00 00
38400	78.125	0.00%	06 00 00 00
57600	52	0.16%	34 00 00 00
115200	26	0.16%	1A 00 00 00
230400	13	0.16%	0D 00 00 00
460800	6.5	0.16%	0E 40 00 00
921600	3.25	0.16%	03 80 00 00
RESERVED			
14400	208.25	0.04%	00 80 00 00

Isolated USB to RS232 Converter

RS232 connection

Data rates	Standard bit rates 300 up to 1Mbps, also unusual bit rates either by Software or baudrate-aliasing and programmable divisor.
Data format	Provides 7 or 8 data bits, 1 or 2 stop bits and parities Odd, Even, Mark, Space, None.
Handshake	Fully assisted hardware (RTS/CTS, DTR/DSR) and X-On/X-Off software handshaking on chip for fastest response times.
RS232 Lines	All output lines with active $\pm 15\text{mA}$ output, $\pm 15\text{kV}$ ESD. Supports the RS232 break command.
Connector	Standard RS232 DSub9 Male Connector with undetachable UNC screw nuts (full PC compatible).

USB PC Side

Connector	USB Cable about 1 m length with PC compatible type A connection jack and integrated inductance.
USB compatibility	Compatible to USB 1.1/2.0. Absolutely functional with all USB-Interfaces of old and new PCs.

Special features

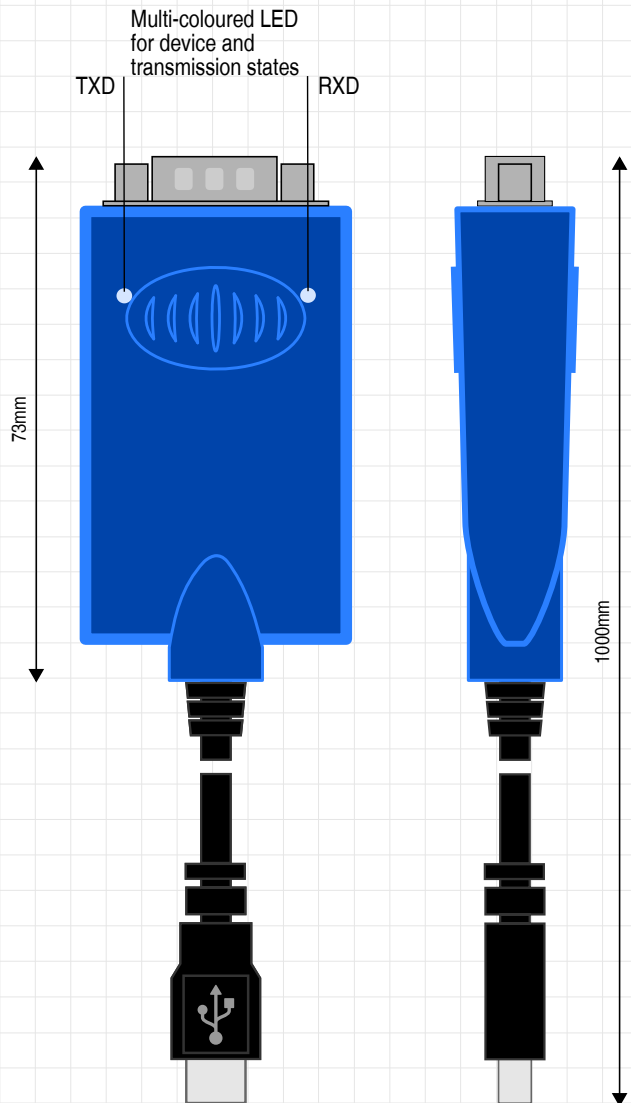
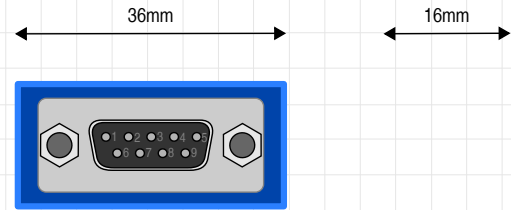
Isolation	Isolation strength 2500 Vrms 1 minute.
Chipset	FTDI FT232R: Additional functions for high transmission safety, internal data buffer 384 bytes (input 128 bytes, output 256 bytes). Direct controlling of the RS232 lines possible (using bitbang mode).
Status display	Display of the device status (standby, active) and transmission activity separated by transmit and receive line via two multi-colored LEDs.

Supported OS & drivers

Windows	Windows 11, 10, 8/8.1, Windows 7, Vista, Windows XP, (32 and 64 bit, all with Microsoft certified driver).
Linux	Kernel 2.4.x or higher, needed driver (ftdi_sio module) is part of all newer kernels.
Driver access	Via virtual com-ports or USB direct drivers for own applications. Windows: Accessing via COMx, Linux: Device access via /dev/ttyUSBx.

What you get

Content	USB to RS232 converter ISO232C.
Warranty	Made in Germany, 3 years warranty and free product lifetime updates for drivers and software tools.



To the shop scan/click



Available in our
Online Shop

Price: 89 €
without tax